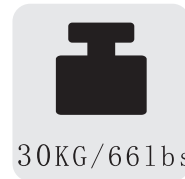
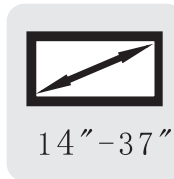


Wall Mount

INSTALLATION GUIDE

Model. GMPT22N7



1

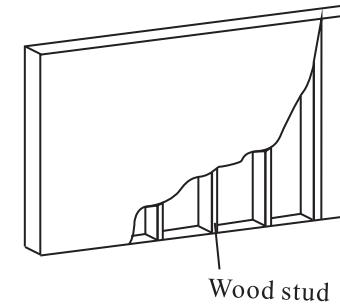


Fig 1

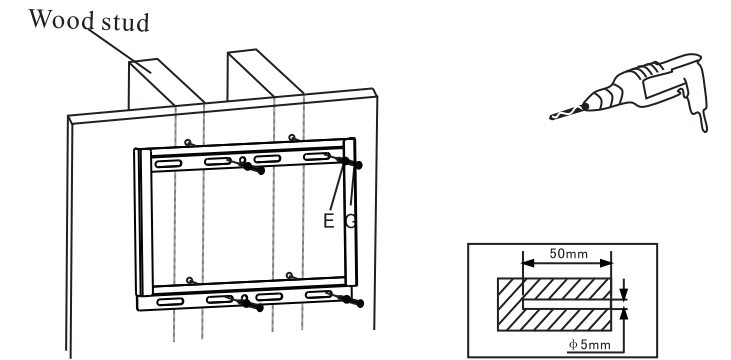


Fig 2

Fig 3

2

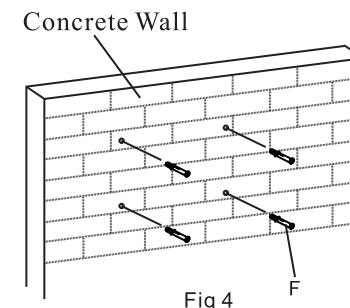


Fig 4

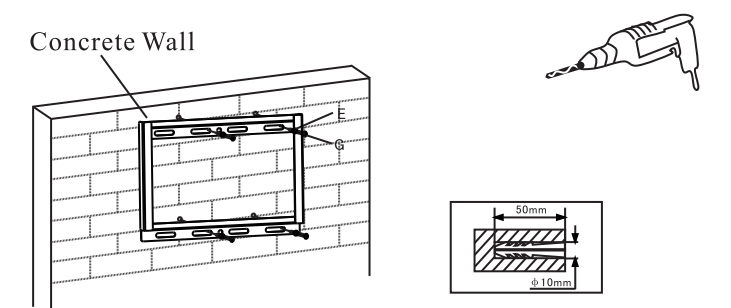
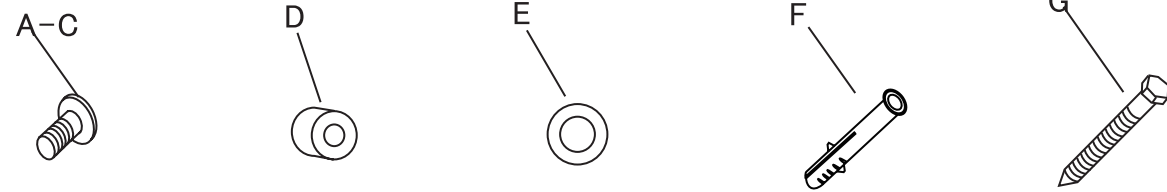
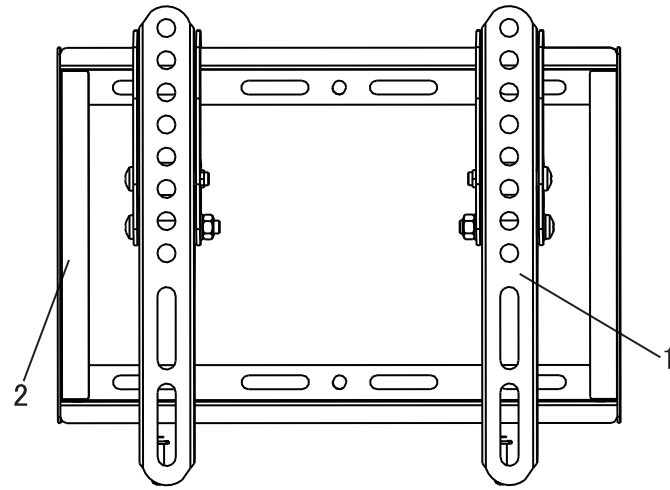


Fig 5

Fig 6

Hardware List:



3

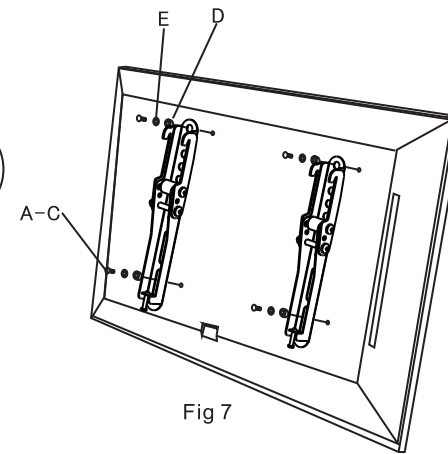


Fig 7

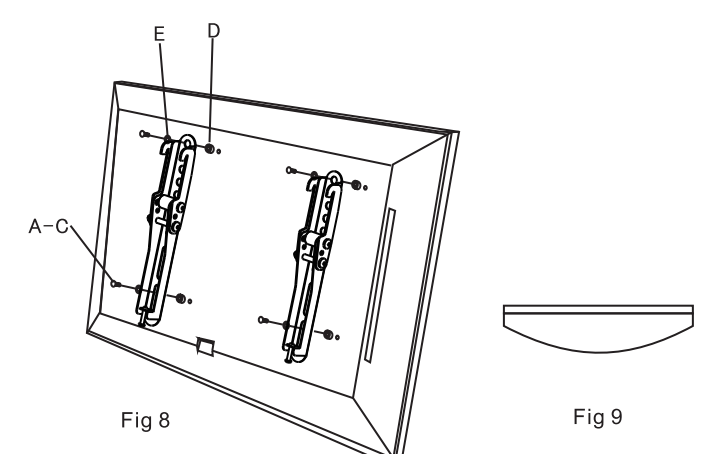


Fig 8

Fig 9

ID	Qty	Description
1	2	Bracket
2	1	Wall mount
A	4	M4*20mm bolt
B	4	M6*25mm bolt
C	4	M8*25mm bolt

ID	Qty	Description
D	4	$\phi 18 \times \phi 8.5 \times 10$ spacer
E	8	M6 washer
F	4	$\phi 6 \times 40$ Wall anchor
G	4	St6 $\times 50$ bolt

4

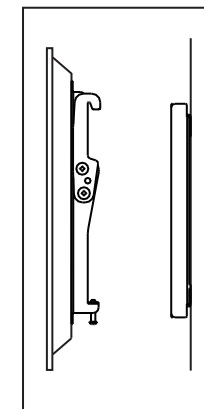


Fig 10

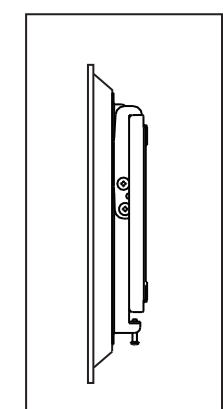


Fig 11